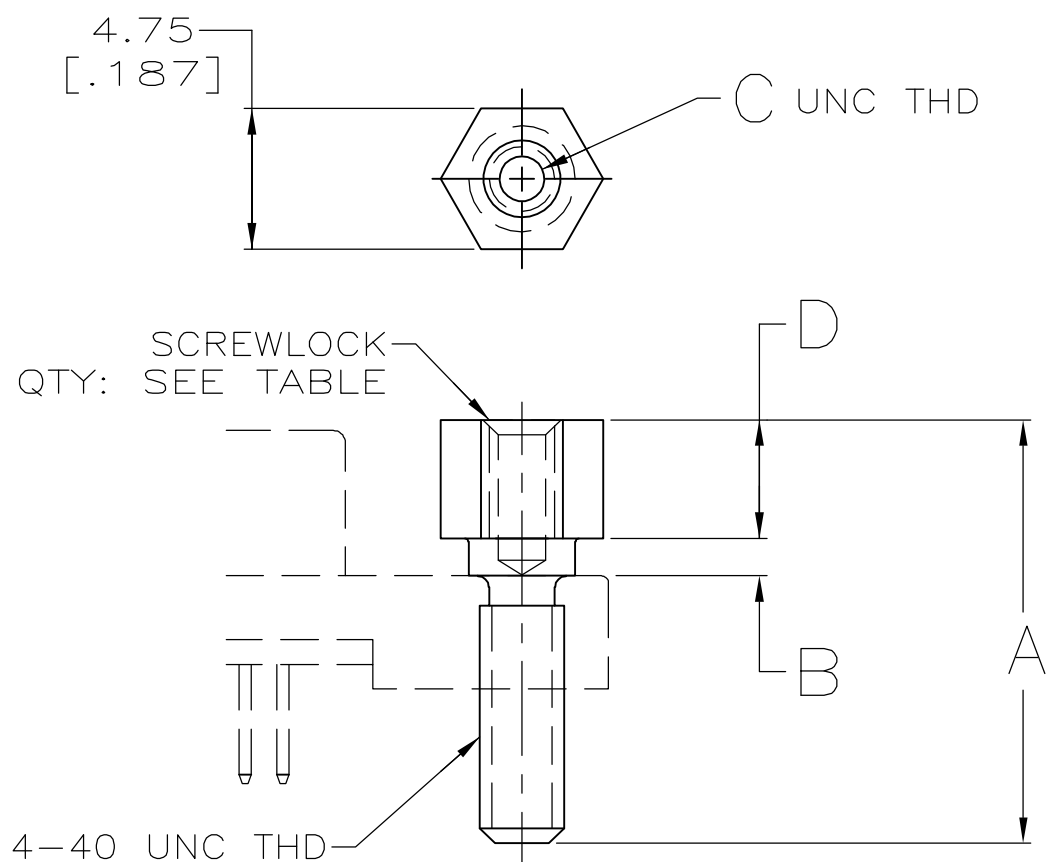


THIS DRAWING IS UNPUBLISHED. RELEASED FOR PUBLICATION  
 © COPYRIGHT BY TYCO ELECTRONICS CORPORATION. ALL RIGHTS RESERVED.

LOC	DIST	REVISIONS					
GP	00	P	LTR	DESCRIPTION	DATE	DWN	APVD
			M1	REVISED PER ECO-05-009847	09FEB06	BM	SS



	1000	4.19 [.165]	2-56	1.07 [.042]	14.27 [.562]	749087-8
OBSOLETE	1000	3.99 [.157]	2-56	1.27 [.050]	14.27 [.562]	749087-7
OBSOLETE	2	3.71±0.05 [.146±.002]	2-56	1.27 [.050]	13.92 [.548]	749087-6
OBSOLETE	1000	3.99 [.157]	4-40	1.27 [.050]	18.29 [.720]	749087-5
	2	4.19 [.165]	2-56	1.07 [.042]	14.27 [.562]	749087-4
	1000	3.99 [.157]	2-56	1.27 [.050]	9.65 [.380]	749087-3
	2	3.99 [.157]	2-56	1.27 [.050]	9.65 [.380]	749087-2
	2	3.99 [.157]	2-56	1.27 [.050]	14.27 [.562]	749087-1
SCREWLOCKS PER BAG		D	C	B	A	PART NUMBER

THIS DRAWING IS A CONTROLLED DOCUMENT.		DWN D.GELTZ 11/24/93	Tyco Electronics Corporation Harrisburg, PA 17105-3608		
DIMENSIONS: INCHES		CHK R.STONE 02/25/94			
		APVD -	NAME		
TOLERANCES UNLESS OTHERWISE SPECIFIED:		PRODUCT SPEC -	SCREWLOCK KIT, FEMALE, AMPLIMITE, .050 SERIES		
0 PLC ± - 1 PLC ± - 2 PLC ± 0.13 [.005] 3 PLC ± - 4 PLC ± - ANGLES ± -		APPLICATION SPEC -	SIZE A3	CAGE CODE 00779	DRAWING NO C=749087
MATERIAL STAINLESS STEEL		FINISH -	WEIGHT -	RESTRICTED TO -	
CUSTOMER DRAWING			SCALE 4:1	SHEET 1 of 1	REV M1